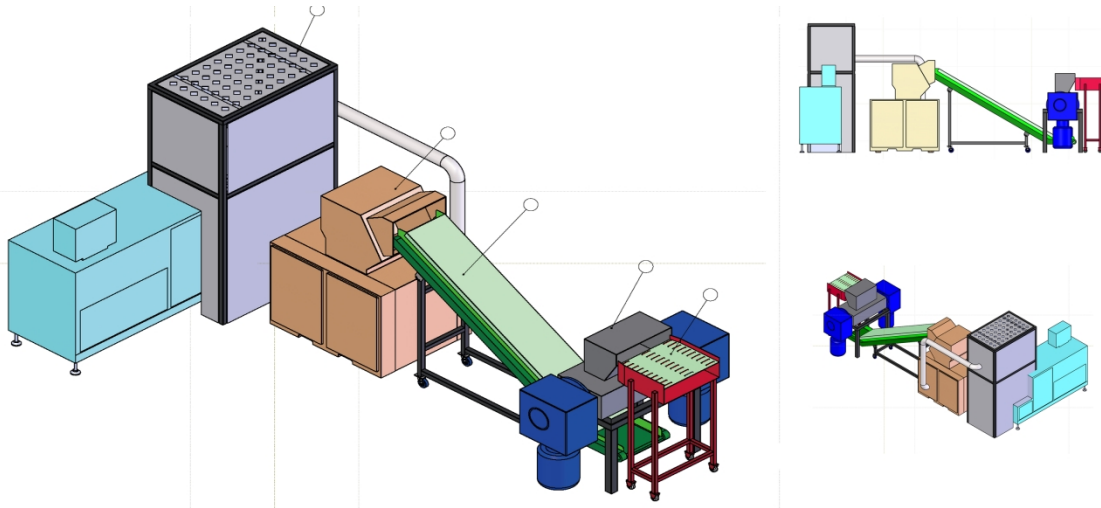


YD-BM6002P Integrated Shredding System

All-in-One Shredding, Dust Collection & Baling System

Integrated system solutions for shredding, secondary processing, dust removal, and baling.

Product Overview

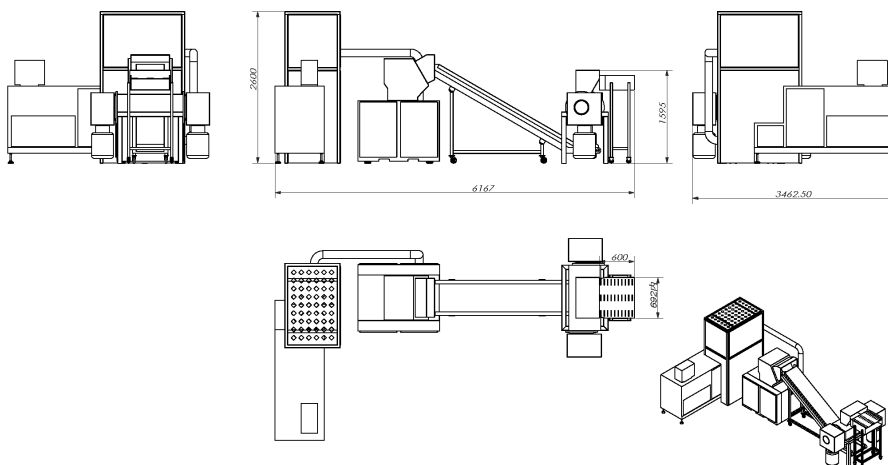



Application Scenarios

  Secure / Confidential Room / Secure Destruction Center


System Overview: Three-View Diagram

(Front / Side / Top Views of the Integrated System)



 Note: The above solution is for reference only. Final delivery is subject to the user's confirmed requirements.

 **Website(Global):** www.yuedushredders.com

 **Email:** yuedushredders@gmail.com

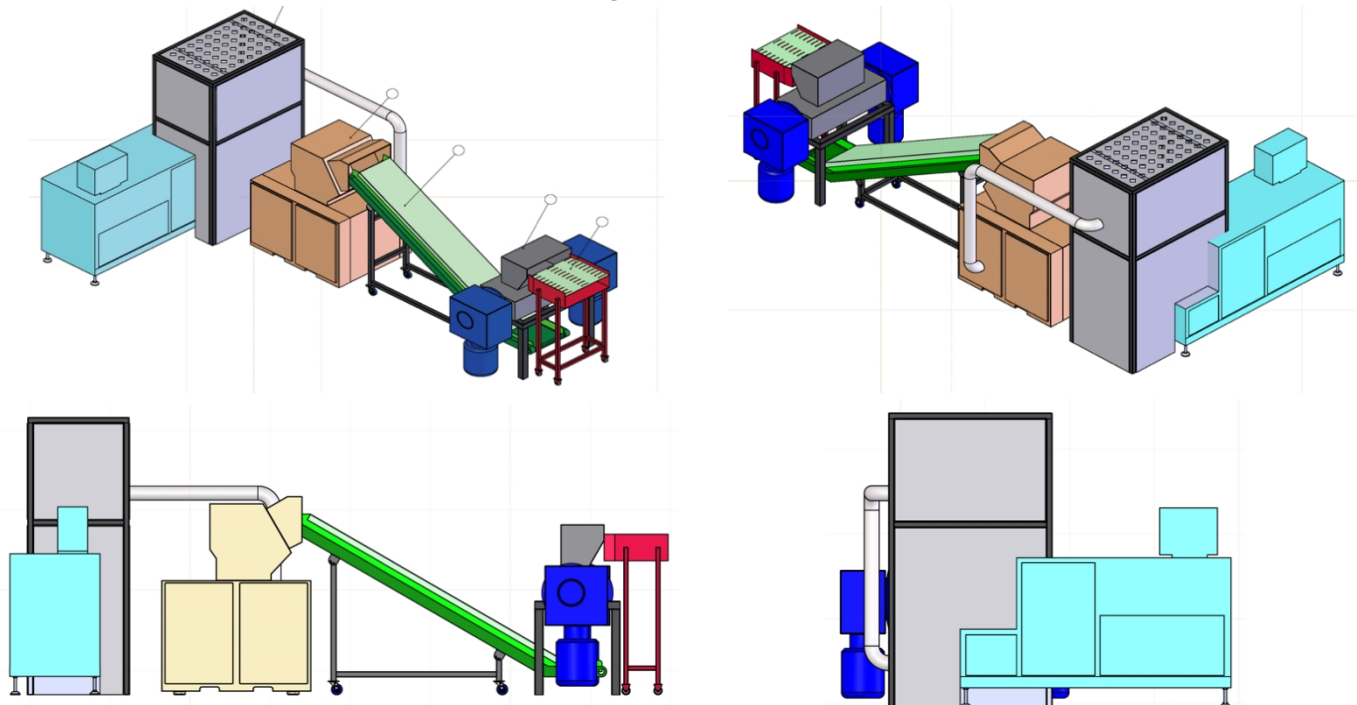
 **Phone WhatsApp:** +86 159 0178 2779

Top Secret Documents Shredder and Briquetting Machine (All-in-One) A PLA Unit Secure Shredding & Briquetting System



Model: YD-BM6002P (paired with YD-DBJ6002P baler / compactor)

Overall Solution Reference Drawing:



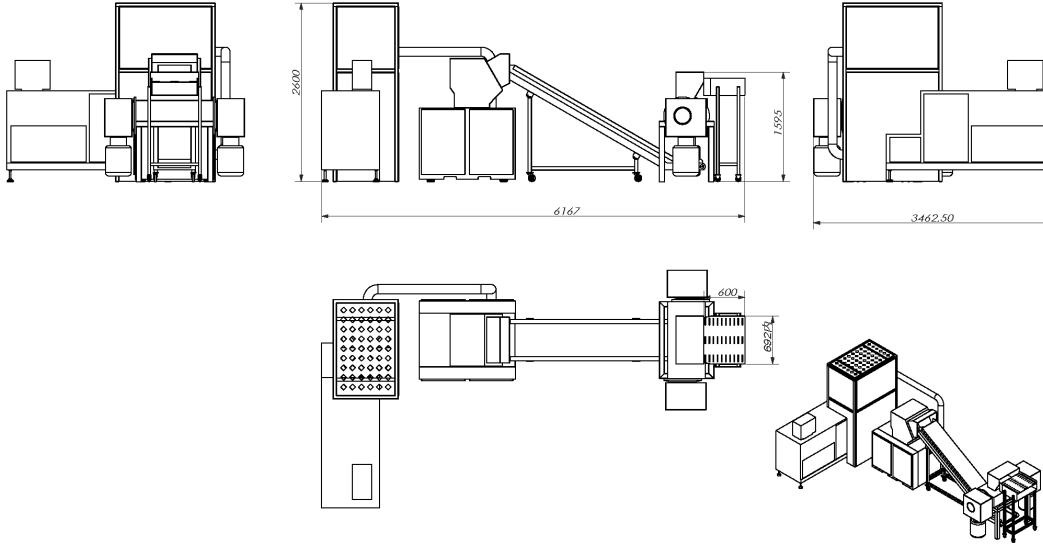
📌 Note: The above solution is for reference only. Final delivery is subject to the user's confirmed requirements.

🌐 **Website(Global):** www.yuedushredders.com

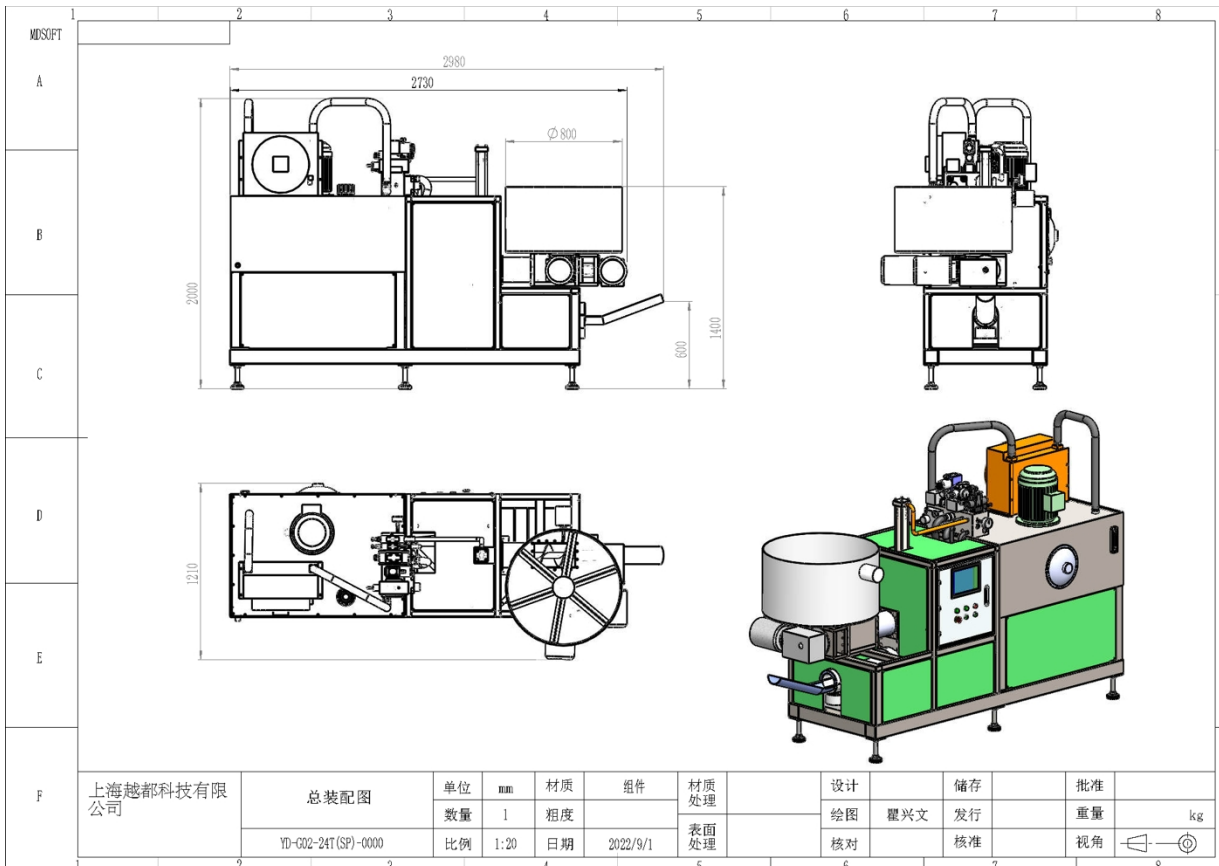
✉ **Email:** yuedushredders@gmail.com

☎ **Phone WhatsApp:** +86 159 0178 2779

Product Overall Layout Reference Drawing:



Baling & Briquetting Section Layout Reference Drawing:



Product Conforms to High-Volume Shredding of Level 1 Top Secret Documents

Destruction requirements: shred size 1×2 mm, output ≥60 kg/h, direct briquetting into round pellets after shredding.

Model: YUEDU YD-BM6002P Multi-Function Storage Media Destroyer

1.1 Key Features:

- (1) High-capacity destruction per unit time
- (2) 24-hour continuous operation
- (3) Anti-jamming protection against overfeeding

Optional (not included in this solution): (4) Two-stage shredding: first to small particles, second to 1 mm powder.

- (5) Explosion-proof design: explosion-proof electrical components, motor, control panel, cabinet, and cables
- (6) Spark detection system with alarm and interface for customer's fire sprinkler system
- (7) Conveyor belt feed. Optional (not included): sealed conveyor to prevent dust leakage
- (8) Fully sealed design with dust removal to prevent dust emission during shredding
- (9) Fully sealed, noise-reduced design with sound insulation to maintain working environment
- (10) Integrated briquetting function: compresses shredded paper powder into round pellets


1.2 Specifications:

- (1) Continuous operation time: ≥12 hours
- (2) Destruction capacity (paper): ≥100 sheets/feed
- (3) Level 1 shredding speed: ≥60 kg/h; Level 2 shredding speed: 300–500 kg/h**
- (4) Shred size (paper): <1×2 mm
- (5) Level 2 shredder power: ≥22 kW

Optional (not included): (6) Level 1 shredder power: ≥4 kW

- (7) Briquetting unit power: ≥10 kW, press force >20 tons
- (8) Operating noise (operator position): <70 dB

 **Website(Global):** www.yuedushredders.com

 **Email:** yuedushredders@gmail.com

 **Phone WhatsApp:** +86 159 0178 2779

Secure Shredding Rendering:



Case : Z



Case : X



Business License (Official Chinese & English Translation)



Business License (Translated Version)

Shanghai Yuedu Technology Co., Ltd.

◆ Company Information

Company Name:

Shanghai Yuedu Technology Co., Ltd.

Unified Social Credit Code:

91310114MA1GUXHQ8H

Company Type:

Limited Liability Company (Invested or Controlled by Natural Persons)

Registered Address:

Room 17239, Building 2, No. 4268 Zhen'nan Road, Jiading District, Shanghai, China

Legal Representative:

Deng Hao

Registered Capital:

RMB 3,700,000

◆ Registration Details

Date of Establishment:

September 5, 2018

Business Term:

From September 5, 2018 to September 4, 2048

◆ Registration Authority

Shanghai Jiading District Administration for Market Regulation

Date of Issue:

September 5, 2018



This document is a translated version of the original Chinese business license.

In case of any discrepancy, the original Chinese version shall prevail.

✓ Registered and verified company in China

✓ Officially issued by Chinese government authority

✓ Valid for international business cooperation

🌐 **Website(Global):** www.yuedushredders.com


✉ **Email:** yuedushredders@gmail.com

☎ **Phone WhatsApp:** +86 159 0178 2779

Contact Us

Johnny Deng, Managing Director


 Phone: +86 159 0178 2779 (WhatsApp / WeChat / Facebook / Telegram)

 Email: denghao8410@gmail.com

Shanghai YUEDU Technology Co., Ltd. (YUEDU Shredders)


 **Website(Global):** www.yuedushredders.com

 **Email:** yuedushredders@gmail.com / denghao8410@gmail.com

 **Sales Supervisor:** +86 159 0178 2779 (WhatsApp / WeChat / Facebook / Telegram)

 **Administrative Supervisor:** +86 137 6138 5116

 **Head Office Main Line:** +86 21 519 000 20

 **Company Headquarters:** Building 12, No. 555 Chengyin Road, Baoshan City Industrial Park, Shanghai, China

About YUEDE Shredders


Shanghai YUEDU Technology Co., Ltd. is a **Shanghai-certified high-tech enterprise** specializing in the development and manufacturing of **shredding and destruction equipment**. We serve a wide range of sectors including **government agencies, financial institutions, military departments, enterprises, and recycling industries**.

Our offerings include **office and industrial-grade paper shredders, hard drive destroyers, plastic crushing systems, and fully customized destruction center solutions**. From design to delivery, we help clients achieve efficient, secure, and compliant material destruction.

Our Mission

We are dedicated to the shredding and destruction industry, continuously solving diverse material shredding and disposal challenges for our clients around the world.

 **Website(Global):** www.yuedushredders.com

 **Email:** yuedushredders@gmail.com

 **Phone WhatsApp:** +86 159 0178 2779